

# MSP 314-4

## Key Features

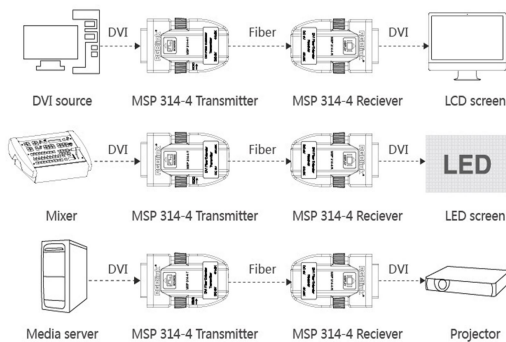


- Resolution up to 3840x2160@ 30Hz
- 1xLC connector on both transmitter and receiver
- Transmit 300m by Multi Mode Fiber or 2000m by Single Mode Fiber
- EDID storage
- Resist electromagnetic interference
- Easy installation

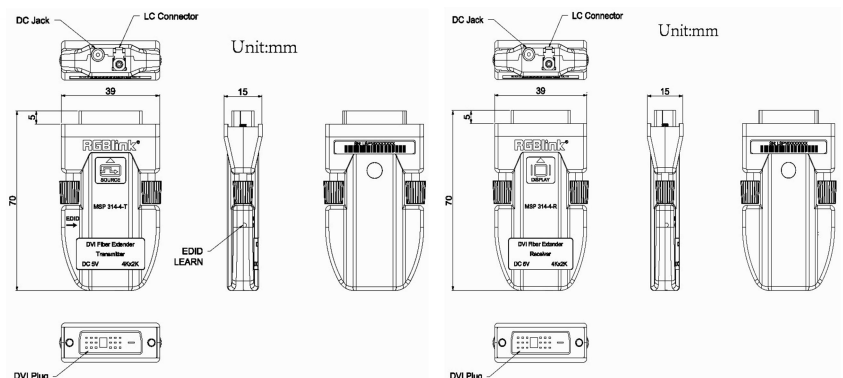
## Specification

<b>Connectors</b>	Input	Transmitter	1xDVI
		Receiver	1xLC
	Output	Transmitter	1xLC
		Receiver	1xDVI
<b>Performance</b>	Input Resolution	DVI	SMPTE 480i@60   576i@60   720p@50/60   1080i@50/60   1080p@50/60 VESA 800x600@60   1024x768@60   1280x768@60   1280x1024@60   1360x768@60   1400x1050@60   1440x900@60   1600x1200@60   1680x1050@60   1920x1080@60   1920x1200@60   2048x1152@60   2560x812@60   2560x816@60   3840x2160@30
	Output Resolution	DVI	SMPTE 480i@60   576i@60   720p@50/60   1080i@50/60   1080p@50/60 VESA 800x600@60   1024x768@60   1280x768@60   1280x1024@60   1360x768@60   1400x1050@60   1440x900@60   1600x1200@60   1680x1050@60   1920x1080@60   1920x1200@60   2048x1152@60   2560x812@60   2560x816@60   3840x2160@30
	Supported Standard	DVI	D-DVI
	Extend Distance	300m (Multi Mode Fiber) 2000m (Single Mode Fiber)	
<b>Power</b>	Input Voltage	5V DC	
<b>Physical</b>	Weight	0.12kg	
	Dimension	70mmx40mmx15mm	

## Application



## Dimension



## Order Codes

MSP 314-4 Transmitter

MSP 314-4 Receiver

Product Code	Item
611-0011-01-0	MSP 314-4

Tel: +86-592-5771197 | Fax: +86-592-5788216 | E-mail: sales@rgbink.com  
Headquarter: S601 Weiye Building, Torch Hi-Tech Development Zone, Xiamen, Fujian, P.R.C.



www.rgbink.com

Specifications are correct at time of printing and subject to change or alteration without notice.