



MSP 207 VGA to Analog Video

Promise high quality analog PC to analog video convert with PPM and UMD!

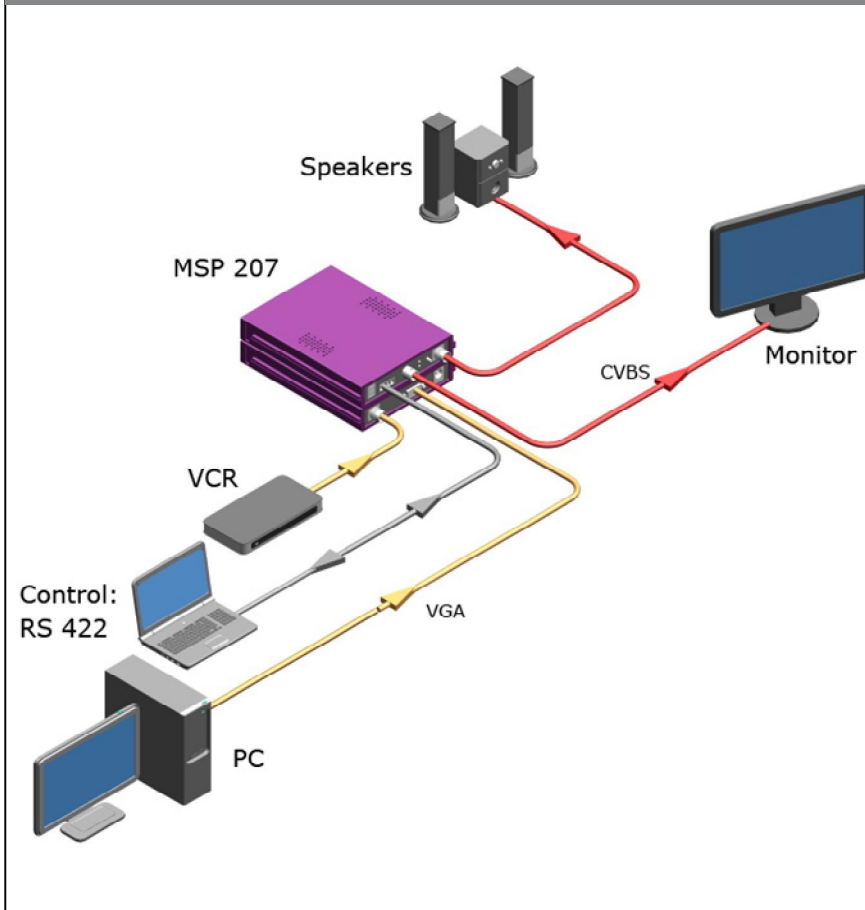


Please check the Application of MSP 207 in our website:

<http://www.rgblink.com/>

<http://www.rgblink.cn/>

Application



ERP material code

MSP 207 Standard version
ERP number is RCRCPK0034

Feature

Input:

- 1) 1 x VGA;
- 2) 2 x Analog audio;

Output:

- 1) 1 x CVBS;
- 2) 2 x Analog audio;

Support functions:

- 1) Standard PPM;
- 2) UMD (TSL support);
- 3) Tally;
- 4) Output resolution:
480i, 576i;

Control Interface: RS 422

Size: 98mm x 120mm x 20mm;

Power supply: +12V 3.5 inch power module;

Temperature: 0°C~40°C;

Humidity: 10%~85%;

Packing Configuration

Material code	Description	QTY
RAPOWB0015-A	12V power module	1
RREG04M020	RS 422 converter	1
RPAK00X037	User manual	1
RPAK00X010	DVD disk	1

RGblink Science & Technology Co., Ltd



Headquarter: S603~604 Weiye Building
Torch Hi-Tech Industrial Development
Zone, Xiamen, Fujian Province, P.R.C
Shenzhen office: Building 3, A Baiwang
Plaza, Xili Nanshan District, Shenzhen,
Guangdong Province, P.R.C
Beijing office: Room 602, Building 7,
CaiManJie, No.67, Chaoyang Road,
Chaoyang District, Beijing, P.R.C
Tel: +86-592-5771197
Fax: +86-592-5771202
QQ: 505941001
MSN: rgblink@hotmail.com
Skype: rgblink
Email: rgblinksales@gmail.com